

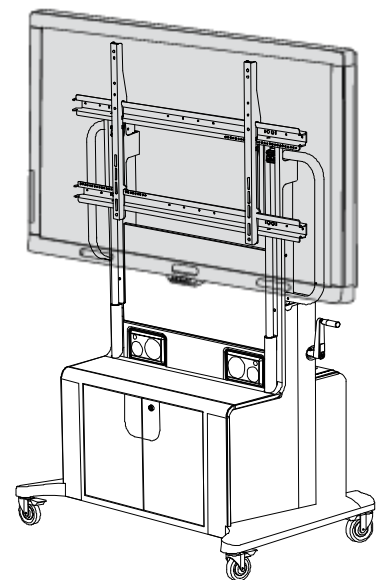
Specifications

SMART Mobile Stand for interactive displays

Model FSSBID 100/100H

Physical specifications

Size	
Mobile stand	46 1/2" W x 63" H x 33 5/8" D (118.1 cm x 160 cm x 85.3 cm)
Height adjustment	15 3/4" (40 cm) maximum
Weights	
Mobile stand only	252 lb. (114.3 kg)
Interactive display only	Minimum: 80 lb. (36.3 kg) Maximum: 265 lb. (120.2 kg)
Shipping Size	
1 unit on included pallet	51" W x 69" H x 40" D (130 cm x 175 cm x 102 cm)
Shipping weight	340 lb. (154.2 kg)



All dimensions +/- 1/8" (0.3 cm). All weights +/- 2 lb. (0.9 kg)

i NOTE

For a list of supported interactive displays, as well as their shipping sizes, weights and order numbers, see smarttech.com/supportedpanels.

Standard features

Cabinet Durable shell and high-quality finish are dent-resistant and easy to clean. Includes two vertically adjustable shelves. Shelf spacing ranges from 2" to 19" (5.1 cm to 48.3 cm). Accommodates a 7 1/2" x 18" x 18" (19.1 cm x 45.7 cm x 45.7 cm) computer tower. Easily configured to accommodate a 19" (48.3 cm) rack mount.

If you want to configure your mobile stand for a rack mount, purchase a hardware accessory kit from your authorized SMART reseller (smarttech.com/where).

Security	The sturdy, locking cabinet with solid doors provides secure storage and the rear maintenance panel features tamper-proof, self-tapping TORX® key hardware.
Adjustable height	The two-piston hydraulic system provides height adjustment over a range of 15 3/4" (40 cm). When you mount a large display such as the SMART Board® 8070i interactive display on the mobile stand, a locking pin limits the height adjustment to a range of 10 5/8" (27 cm).
Mounting brackets	Universal mounting brackets secure compatible flat-panel displays to the mobile stand. These brackets feature locking safety clips.
Mobility	The self-contained unit rolls on four 5" (13 cm) heavy duty, non-marking, locking casters. The mobile stand prominently features one horizontal and two vertical grab bars, which enable you to easily move the unit.
Stability	Wide footprint and reinforced steel design provide excellent stability for writing on or touching your interactive product
Audio	Integrated 20 W speakers
Removable rear access panels	Removable maintenance panels at the rear of the cabinet provide easy access to peripheral devices for cable installation and power management.
Ventilation	Rear and bottom venting for peripheral devices
Rear connection panel	The rear connection panel enables you to easily connect guest laptop computers, your SMART Document Camera™, your SMART Response™ interactive response system receiver and other USB 2.0 devices.
One + one cabling	The rear panel's connections for power and network support enable you to easily connect cables and disconnect them when you need to move your stand.
Cable management	A pre-wired cable bundle enables you to connect your peripheral devices to your flat-panel display. The cable bundle includes centralized cable management with strain relief. Some flat-panel displays require adapter kits, which you can purchase from your authorized SMART reseller (smarttech.com/where).
Certifications and compliance	CB, CSA/CE (approved for use with 8000 series and 6000 series interactive displays), RoHS and WEEE
Warranty	One-year limited equipment warranty on the stand, height-adjustment mechanism and cabinet

Power specifications

Accommodates 1.2 kW. Includes the following items:

- | | |
|-------------------|--|
| Power bars | Country-specific power bar: <ul style="list-style-type: none"> • NEMA (North America) 110V AC OR • IEC 240V, 50 Hz (Europe and China) |
|-------------------|--|

Power cord	8' (2.44 m) country-specific power cord with cable management feature
Additional power	Power access for additional devices near the bottom rear of the stand

Integration features

SMART products Your SMART Mobile Stand for interactive displays integrates with the following products:

- SMART Board 8000 and 6000 series interactive flat panels
- SMART Board 400 series interactive overlays
- SMART Board 400 series interactive display frames
- SMART Board 300 series *for Flat-Panel Displays* interactive overlays
- SMART Hub™ SE240 and VE220 collaboration appliances
- SMART Document Cameras
- SMART Response interactive response systems

For a list of supported interactive flat panels, see smarttech.com/supportedpanels.

Laptop (optional) The rear connection panel includes support for VGA video, 3.5 mm stereo audio and USB 2.0 for interactive overlay or interactive display frame touch control.

NOTE

You need at least three USB receptacles on your computer to connect it to your mobile stand. If your computer has fewer than three USB receptacles, you need a USB 2.0 hub (not included) to connect your computer to your mobile stand.

Desktop computer Internal connections for a computer provide support for VGA video, 3.5 mm stereo audio, USB for interactive overlay or display frame touch control, and two additional USB devices.

Audio/video Internal connections provide support for a component video device with stereo audio (5 × RCA), and a composite video device with stereo audio (3 × RCA).

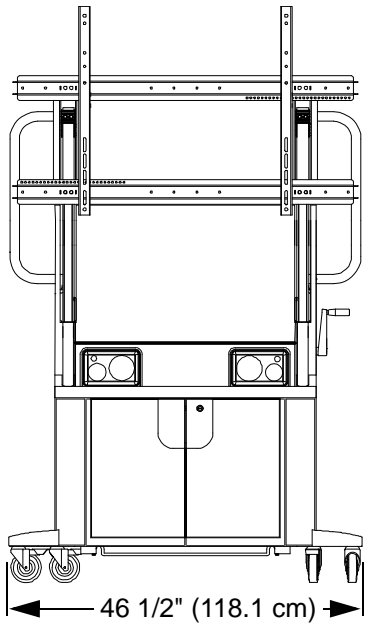
Storage and operating specifications

Storage	-40°F to 140°F (-40°C to 60°C)
Operation	41°F to 86°F (5°C to 30°C) with up to 80% relative humidity, non-condensing

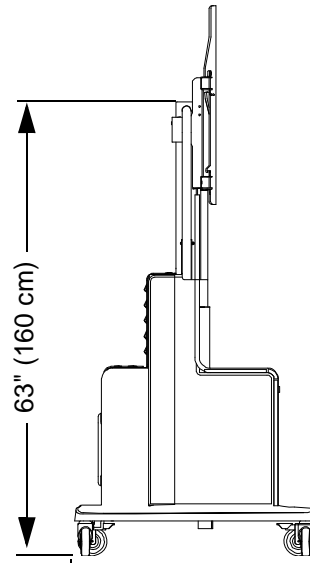
SMART order numbers

FSSBID 100	SMART Mobile Stand for interactive displays
FSSBID 100H	SMART Mobile Stand for interactive displays for SMART Hub SE240 collaborative appliances
ADP USB AB	SMART Board 300 series <i>for Flat-Panel Displays</i> interactive overlay USB B to USB A adapter
FSSBID RACK MT	Rack mount hardware accessory kit, including 16 rack clips

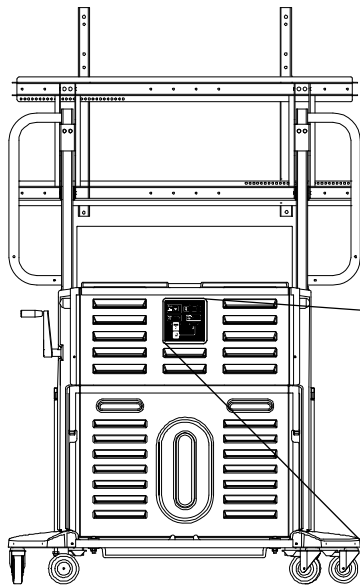
Physical dimensions



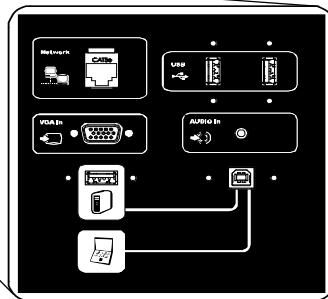
Front view



Side view



Top view



Connection panel

smarttech.com/support
smarttech.com/contactsupport

